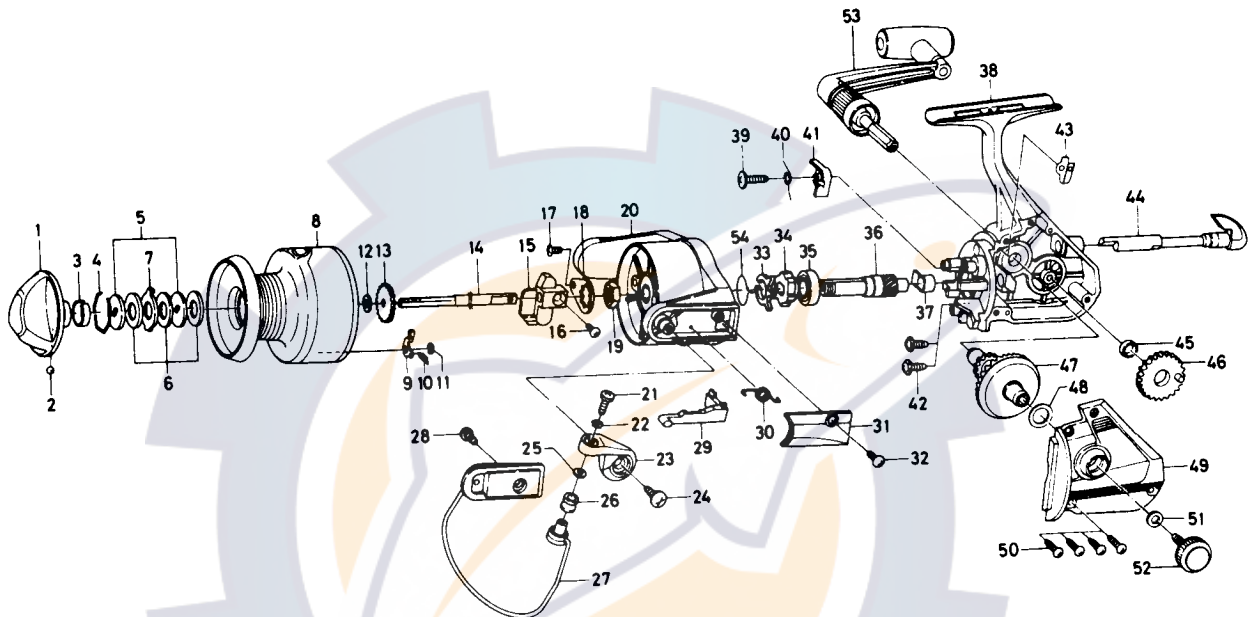




Please order by part number, not key number.

# SPINNING REEL EL7000X



No. 4-11      L13-6301      Spool assembly

Key No	Parts No	Parts Name
1	E50-9701	Drag knob
2	635-4701	Click ball
3	B32-8701	Click leaf spring
4	171-7701	Drag washer retainer
5	L03-1301	Key washer
6	373-3712	Drag washer
7	B89-9501	Eared washer
8	L13-6401	Spool assembly
9	B07-8201	Click pawl
10	145-2101	Click spring
11	320-1402	Click retainer
12	L11-9101	Spool washer
13	L11-8501	Click gear
14	L11-9501	Main shaft
15	L11-4801	Oscillating slider
16	351-8901	Oscillating slider screw
17	L01-1702	Rotor nut holding plate screw
18	B02-1601	Rotor nut holding plate
19	340-8301	Rotor nut
20	L11-5407	Rotor
21	353-9702	Line roller screw
22	160-8101	Lock washer
23	L10-5001	Bail arm
24	E00-7602	Bail arm screw
25	373-4501	Line roller washer
26	250-4221	Line roller
27	L13-3401	Bail assembly
28	L01-1701	Bail trip cam screw

Key No	Parts No	Parts Name
29	L11-5501	Bail trip lever
30	L06-7001	Bail spring
31	L11-5601	Bail spring cover
32	E36-4201	Bail spring cover screw
33	L07-0701	Anti-reverse pawl spring A
34	L09-1701	Anti-reverse ratchet
35	L03-6401	Ball bearing
36	L11-4401	Pinion gear
37	L00-6001	Pinion collar
38	L13-6001	Body assembly
39	L06-6501	Anti-reverse pawl screw
40	L06-6401	Anti-reverse pawl spring B
41	L07-8601	Anti-reverse pawl
42	L01-1601	Bearing retainer screw
43	E01-1801	Anti-reverse cam spring
44	L10-0709	Anti-reverse lever
45	B47-4101	Oscillating gear collar
46	L11-4701	Oscillating gear
47	L07-1701	Drivegear
48	371-2800	Drivegear washer
49	L13-6201	Sidecover
50	B83-5001	Sidecover screw
51	L02-2301	Handle lock washer
52	L00-9101	Handle lock screw
53	L01-2901	Handle assembly
54	F21-2001	Anti-reverse pawl spring C